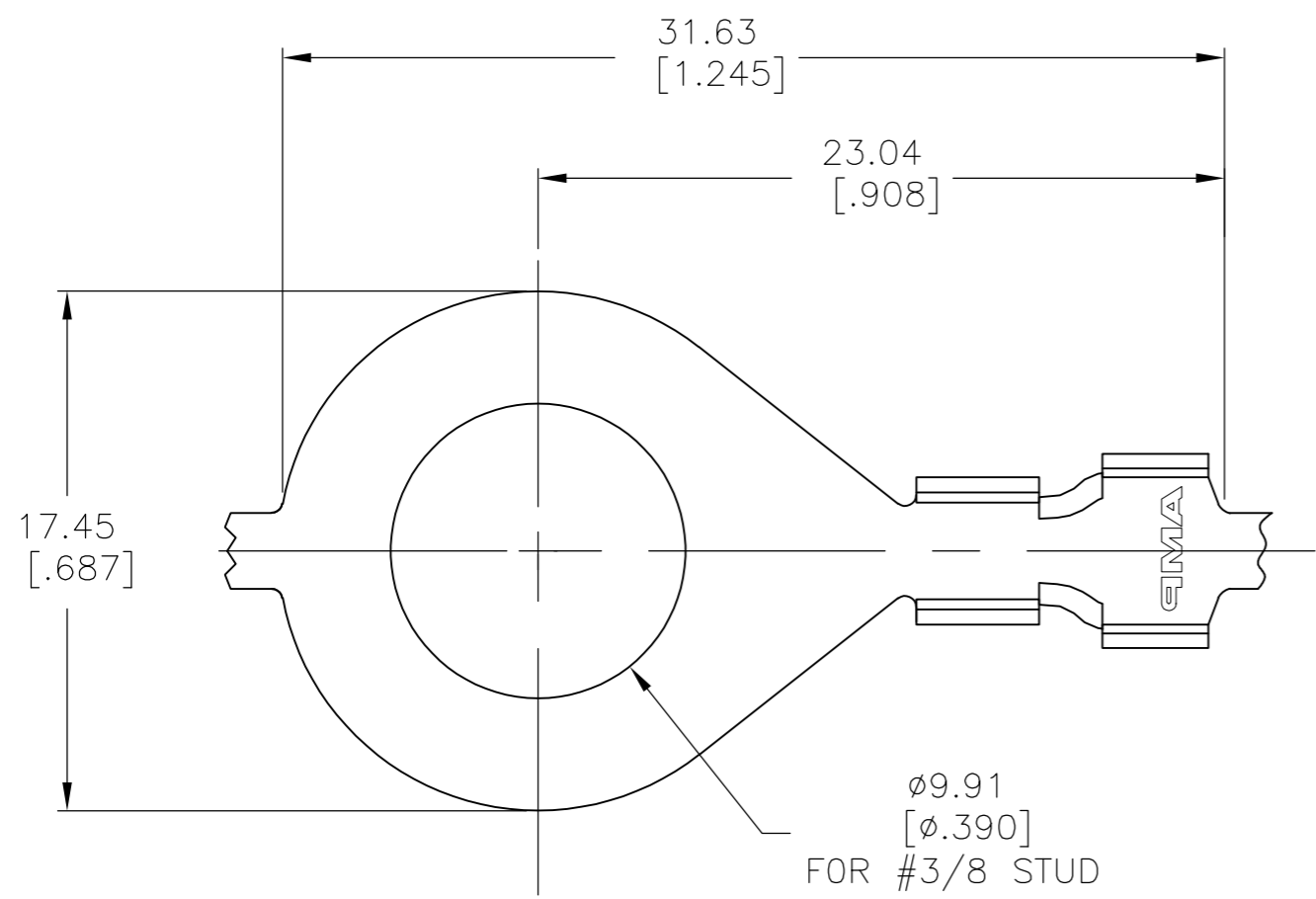
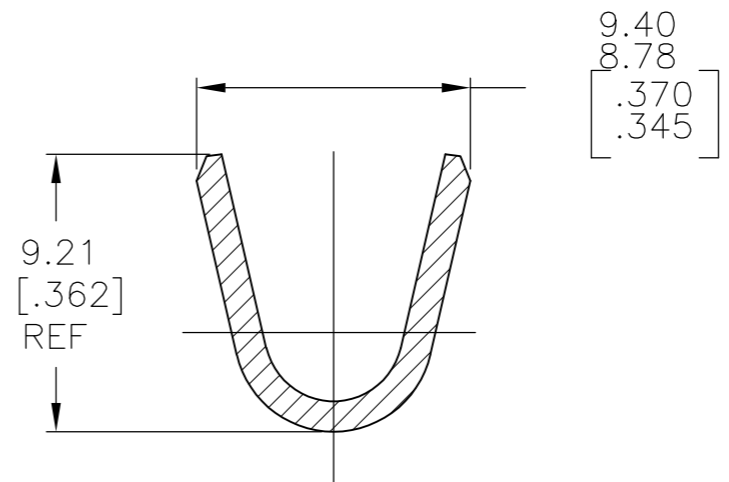
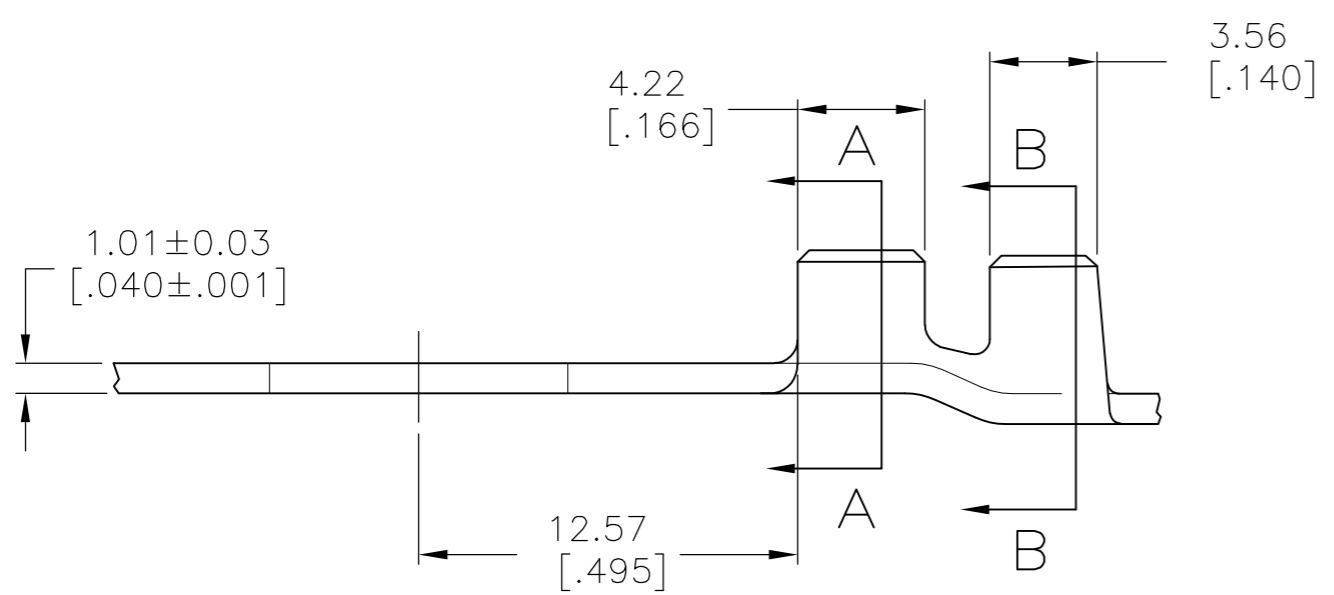
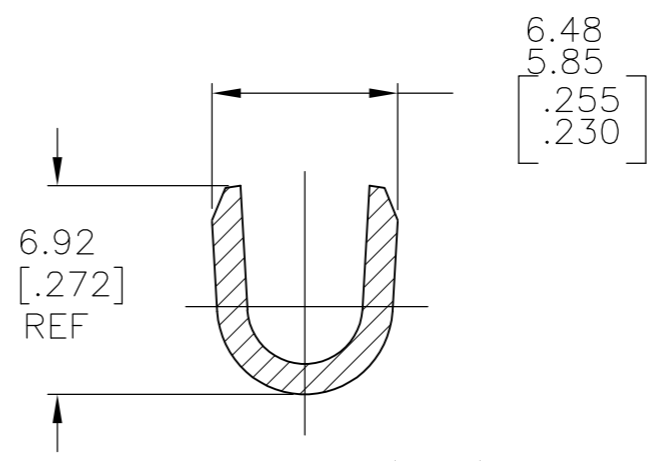


THIS DRAWING IS UNPUBLISHED. RELEASED FOR PUBLICATION
 © COPYRIGHT BY TYCO ELECTRONICS CORPORATION. ALL RIGHTS RESERVED.

LOC	DIST	REVISIONS			
P	LTR	DESCRIPTION	DATE	DWN	APVD
AF	50	C1	REVISED PER ECR-07-030301	09MAY08	HMR JR



1 CONTINUOUS STRIP ON REELS



12 - 8 AWG	3.81[.150] - 5.59[.220]	61289-1
WIRE SIZE	INSULATION RANGE	Part Number

THIS DRAWING IS A CONTROLLED DOCUMENT.		DWN RAGHAVENDRA 09MAY08	Tyco Electronics Corporation Harrisburg, Pa 17105-3608													
DIMENSIONS: mm [INCHES]		CHK JEFF RUTH 09MAY08	NAME													
TOLERANCES UNLESS OTHERWISE SPECIFIED:		APVD JEFF RUTH 09MAY08	RING													
<table border="1"> <tr><td>0 PLC</td><td>± -</td></tr> <tr><td>1 PLC</td><td>± -</td></tr> <tr><td>2 PLC</td><td>± 0.38±.015</td></tr> <tr><td>3 PLC</td><td>± -</td></tr> <tr><td>4 PLC</td><td>± -</td></tr> <tr><td>ANGLES</td><td>± -</td></tr> </table>		0 PLC	± -	1 PLC	± -	2 PLC	± 0.38±.015	3 PLC	± -	4 PLC	± -	ANGLES	± -	PRODUCT SPEC	RESTRICTED TO	
0 PLC	± -															
1 PLC	± -															
2 PLC	± 0.38±.015															
3 PLC	± -															
4 PLC	± -															
ANGLES	± -															
MATERIAL BRASS		APPLICATION SPEC	SIZE A3	CAGE CODE 00779												
FINISH TIN		WEIGHT -	DRAWING NO C-61289	REV C1												
CUSTOMER DRAWING			SCALE 4:1	SHEET 1 OF 1												